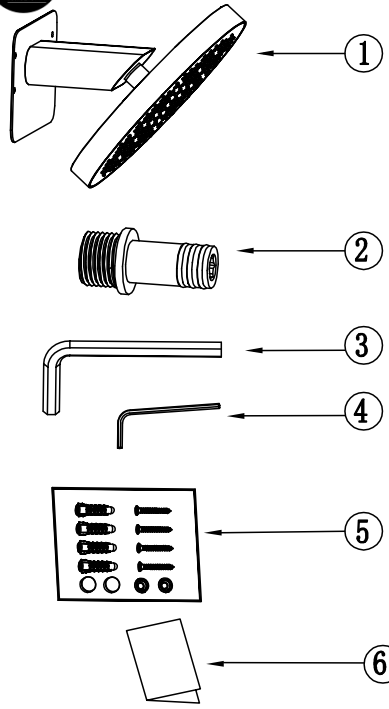
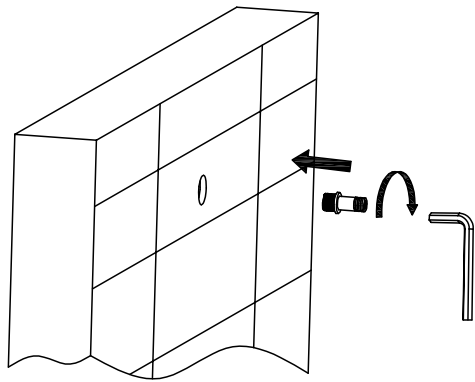


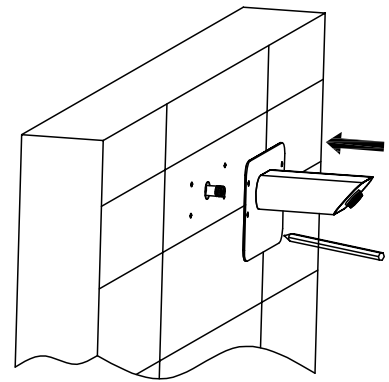
Serial Number	Name	Number
1	Top spray group	1
2	Water inlet joint	1
3	S8 hexagonal	1
4	S2 hexagonal	1
5	Screw pack	1
6	instructions	1



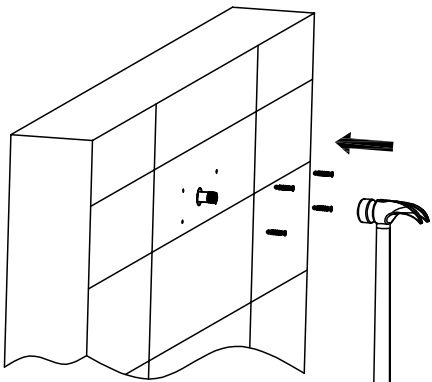
1. According to the pre embedded water outlet on the wall, screw the top spray inlet joint into the wall with a hex wrench;



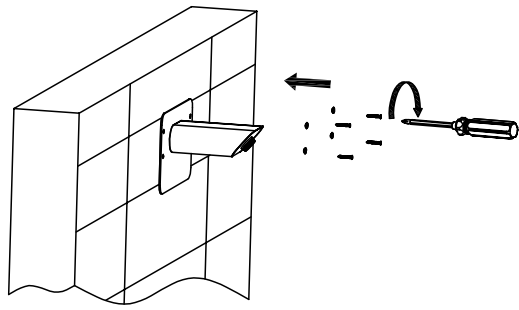
2. Insert the top spray panel into the joint and mark the panel holes on the wall with a marker pen;



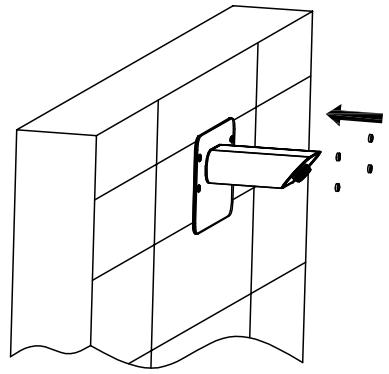
3. Use a drill to drill holes at the marked areas, and knock the plastic nails into the wall to be level with the tile surface.



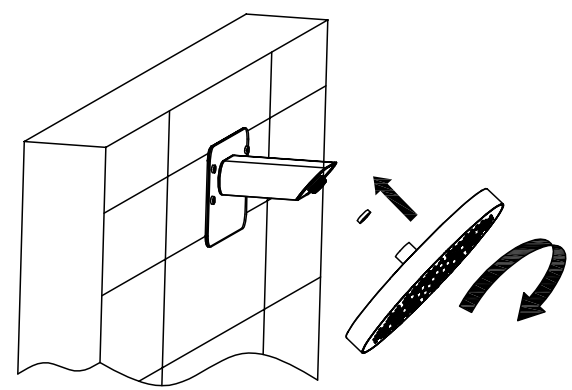
4. Thread the fixing buckle through the screw and lock it onto the panel;



5. Press the decorative buckle onto the fixed buckle;



6. Place the bowl shaped foot mat inside the base and spray the top. Tighten the nut of the showerhead onto the fixed seat;



7. After the installation of the showerhead is completed, the appropriate angle can be adjusted.

